

■ Futures

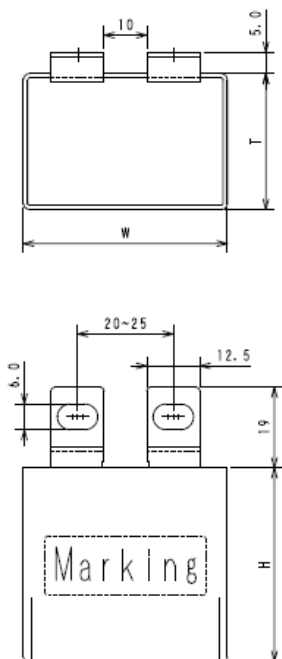
- Direct mount to IGBT/IPM terminals.
- Low ESR
- Low Inductance
- 85 °C resistant case and filling resin / UL-94,V-0
- RoHS compliant

■ General specifications

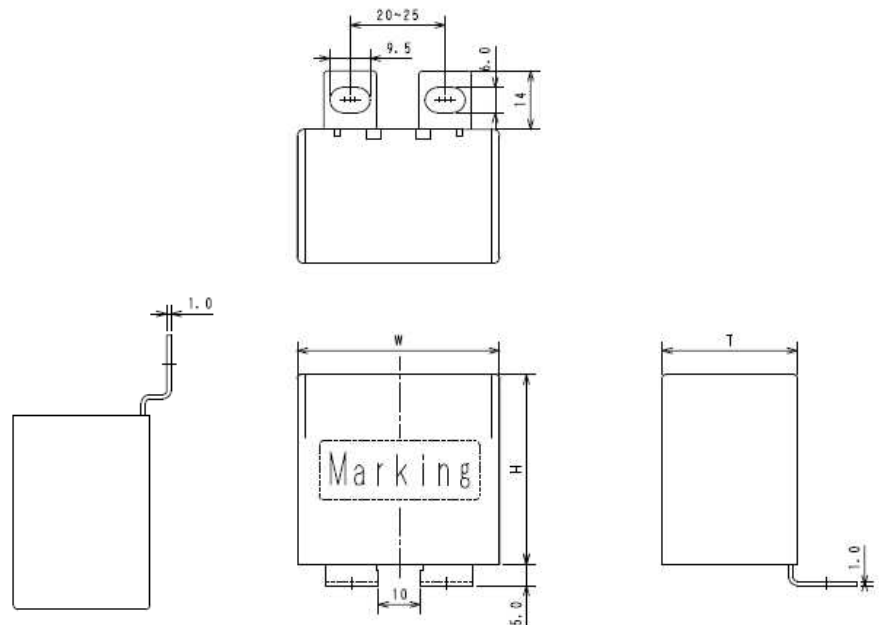
| | | |
|------------------------------|---|--|
| Capacitance Tolerance | : | ±5% |
| Dissipation Factor | : | C<1.0uF : <0.1% at 1kHz , 25 C≥1.0uF : <0.2% at 1kHz , 25 |
| Test Voltage (T-T) | : | 1.5 x rated voltage (VDC) for 1 minute |
| Insulation Resistance (I.R.) | : | C≤0.33uF : >9000MΩ C>0.33uF : >3000/CR MΩ at 100VDC for 1 minute at 20±2 |
| Operating Temperature | : | -25 to +85 (Capacitor surface temperature) |
| ESL | : | <30nH |
| | : | |

■ Dimensional Drawings

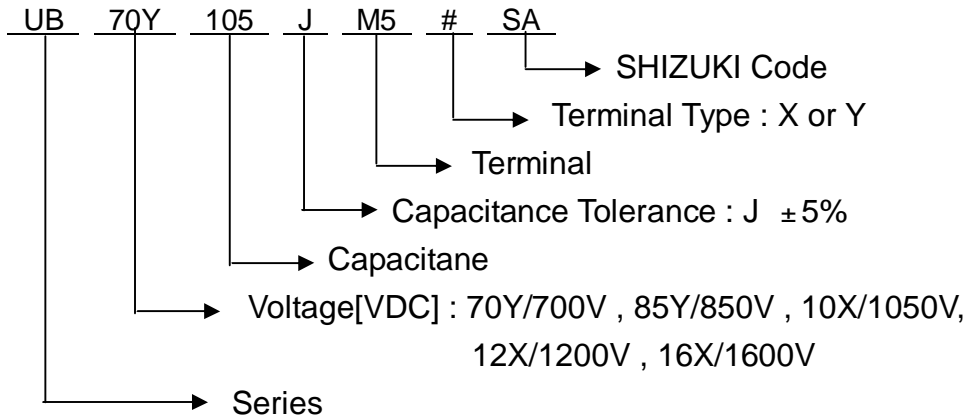
Terminal Type : X



Terminal Type : Y



■ Construction of Parts Code



■ Electrical Specifications

* at 100kHz

| Parts Code | Voltage | Cap. | I _{rms} * | I _{peak} * | dv/dt* | Dimension [mm] | | |
|----------------|---------|------|--------------------|---------------------|--------|----------------|------|------|
| /Ordering Code | [VDC] | [uF] | [Arms] | [A] | [V/us] | W | H | T |
| UB70Y105JM5#SA | 700 | 1.0 | 12 | 211 | 211 | 38.0 | 33.5 | 23.0 |
| UB70Y125JM5#SA | 700 | 1.2 | 13 | 253 | 211 | 38.0 | 33.5 | 23.0 |
| UB70Y155JM5#SA | 700 | 1.5 | 16 | 317 | 211 | 38.0 | 39.0 | 25.5 |
| UB70Y185JM5#SA | 700 | 1.8 | 19 | 380 | 211 | 38.0 | 39.0 | 25.5 |
| UB70Y205JM5#SA | 700 | 2.0 | 19 | 286 | 143 | 47.5 | 39.5 | 26.0 |
| UB70Y225JM5#SA | 700 | 2.2 | 20 | 315 | 143 | 47.5 | 39.5 | 26.0 |
| UB70Y255JM5#SA | 700 | 2.5 | 23 | 358 | 143 | 47.5 | 39.5 | 26.0 |
| UB70Y305JM5#SA | 700 | 3.0 | 24 | 429 | 143 | 47.5 | 39.5 | 26.0 |
| UB70Y335JM5#SA | 700 | 3.3 | 25 | 472 | 143 | 47.5 | 39.5 | 26.0 |
| UB70Y355JM5#SA | 700 | 3.5 | 27 | 501 | 143 | 47.5 | 45.5 | 32.0 |
| UB70Y405JM5#SA | 700 | 4.0 | 27 | 572 | 143 | 47.5 | 45.5 | 32.0 |

| | | | | | | | | |
|----------------|-----|------|----|-----|-----|------|------|------|
| UB85Y824JM5#SA | 850 | 0.82 | 15 | 208 | 253 | 38.0 | 33.5 | 23.0 |
| UB85Y105JM5#SA | 850 | 1.0 | 15 | 253 | 253 | 38.0 | 39.0 | 25.5 |
| UB85Y125JM5#SA | 850 | 1.2 | 18 | 304 | 253 | 38.0 | 39.0 | 25.5 |
| UB85Y155JM5#SA | 850 | 1.5 | 21 | 380 | 253 | 38.0 | 39.0 | 25.5 |
| UB85Y185JM5#SA | 850 | 1.8 | 21 | 309 | 172 | 47.5 | 39.5 | 26.0 |
| UB85Y205JM5#SA | 850 | 2.0 | 23 | 343 | 172 | 47.5 | 39.5 | 26.0 |
| UB85Y225JM5#SA | 850 | 2.2 | 25 | 378 | 172 | 47.5 | 39.5 | 26.0 |
| UB85Y255JM5#SA | 850 | 2.5 | 27 | 429 | 172 | 47.5 | 45.5 | 32.0 |
| UB85Y305JM5#SA | 850 | 3.0 | 28 | 515 | 172 | 47.5 | 45.5 | 32.0 |
| UB85Y335JM5#SA | 850 | 3.3 | 28 | 566 | 172 | 47.5 | 45.5 | 32.0 |
| UB85Y355JM5#SA | 850 | 3.5 | 29 | 601 | 172 | 47.5 | 45.5 | 32.0 |

■ Electrical Specifications (Continued)

* at 100kHz

| Parts Code /Ordering Code | Voltage [VDC] | Cap. [uF] | I _{rms} * [Arms] | I _{peak} * [A] | dv/dt* [V/us] | Dimension [mm] | | |
|------------------------------|------------------|--------------|------------------------------|----------------------------|------------------|----------------|------|------|
| | | | | | | W | H | T |
| UB10X684JM5#SA | 1050 | 0.68 | 12 | 201 | 296 | 38.0 | 33.5 | 23.0 |
| UB10X824JM5#SA | 1050 | 0.82 | 12 | 242 | 296 | 38.0 | 39.0 | 25.5 |
| UB10X105JM5#SA | 1050 | 1.0 | 16 | 296 | 296 | 38.0 | 39.0 | 25.5 |
| UB10X125JM5#SA | 1050 | 1.2 | 19 | 355 | 296 | 38.0 | 39.0 | 30.0 |
| UB10X155JM5#SA | 1050 | 1.5 | 20 | 300 | 200 | 47.5 | 39.5 | 26.0 |
| UB10X185JM5#SA | 1050 | 1.8 | 23 | 360 | 200 | 47.5 | 45.5 | 32.0 |
| UB10X205JM5#SA | 1050 | 2.0 | 25 | 400 | 200 | 47.5 | 45.5 | 32.0 |
| UB10X225JM5#SA | 1050 | 2.2 | 26 | 441 | 200 | 47.5 | 45.5 | 32.0 |
| UB10X255JM5#SA | 1050 | 2.5 | 27 | 501 | 200 | 47.5 | 49.5 | 39.0 |
| UB10X305JM5#SA | 1050 | 3.0 | 28 | 601 | 200 | 47.5 | 49.5 | 39.0 |

| | | | | | | | | |
|----------------|------|------|----|-----|-----|------|------|------|
| UB12X474JM5#SA | 1200 | 0.47 | 13 | 159 | 338 | 38.0 | 33.5 | 23.0 |
| UB12X564JM5#SA | 1200 | 0.56 | 15 | 189 | 338 | 38.0 | 33.5 | 23.0 |
| UB12X684JM5#SA | 1200 | 0.68 | 17 | 229 | 337 | 38.0 | 39.0 | 25.5 |
| UB12X824JM5#SA | 1200 | 0.82 | 19 | 276 | 337 | 38.0 | 39.0 | 30.0 |
| UB12X105JM5#SA | 1200 | 1.0 | 24 | 337 | 337 | 38.0 | 39.0 | 30.0 |
| UB12X125JM5#SA | 1200 | 1.2 | 20 | 275 | 229 | 47.5 | 39.5 | 26.0 |
| UB12X155JM5#SA | 1200 | 1.5 | 24 | 343 | 229 | 47.5 | 45.5 | 32.0 |
| UB12X185JM5#SA | 1200 | 1.8 | 25 | 412 | 229 | 47.5 | 45.5 | 32.0 |
| UB12X205JM5#SA | 1200 | 2.0 | 27 | 457 | 229 | 47.5 | 49.5 | 39.0 |
| UB12X225JM5#SA | 1200 | 2.2 | 27 | 503 | 229 | 47.5 | 49.5 | 39.0 |
| UB12X255JM5#SA | 1200 | 2.5 | 29 | 572 | 229 | 47.5 | 49.5 | 39.0 |

| | | | | | | | | |
|----------------|------|------|----|-----|-----|------|------|------|
| UB16X224JM5#SA | 1600 | 0.22 | 10 | 111 | 507 | 38.0 | 33.5 | 23.0 |
| UB16X274JM5#SA | 1600 | 0.27 | 11 | 137 | 507 | 38.0 | 39.0 | 25.5 |
| UB16X334JM5#SA | 1600 | 0.33 | 13 | 167 | 507 | 38.0 | 39.0 | 30.0 |
| UB16X394JM5#SA | 1600 | 0.39 | 14 | 198 | 507 | 38.0 | 39.0 | 30.0 |
| UB16X474JM5#SA | 1600 | 0.47 | 14 | 161 | 343 | 47.5 | 39.5 | 26.0 |
| UB16X564JM5#SA | 1600 | 0.56 | 16 | 192 | 343 | 47.5 | 45.5 | 32.0 |
| UB16X684JM5#SA | 1600 | 0.68 | 17 | 233 | 343 | 47.5 | 45.5 | 32.0 |
| UB16X824JM5#SA | 1600 | 0.82 | 20 | 281 | 343 | 47.5 | 45.5 | 32.0 |
| UB16X105JM5#SA | 1600 | 1.0 | 22 | 343 | 343 | 47.5 | 49.5 | 39.0 |

■ Packing specification

| Parts Code | Voltage [VDC] | Cap. [uF] | QTY/CTN [pcs] |
|----------------|------------------|--------------|------------------|
| UB70Y105JM5#SA | 700 | 1.0 | 300 |
| UB70Y125JM5#SA | 700 | 1.2 | 300 |
| UB70Y155JM5#SA | 700 | 1.5 | 300 |
| UB70Y185JM5#SA | 700 | 1.8 | 300 |
| UB70Y205JM5#SA | 700 | 2.0 | 200 |
| UB70Y225JM5#SA | 700 | 2.2 | 200 |
| UB70Y255JM5#SA | 700 | 2.5 | 200 |
| UB70Y305JM5#SA | 700 | 3.0 | 200 |
| UB70Y335JM5#SA | 700 | 3.3 | 200 |
| UB70Y355JM5#SA | 700 | 3.5 | 200 |
| UB70Y405JM5#SA | 700 | 4.0 | 200 |

| Parts Code | Voltage [VDC] | Cap. [uF] | QTY/CTN [pcs] |
|----------------|------------------|--------------|------------------|
| UB12X474JM5#SA | 1200 | 0.47 | 300 |
| UB12X564JM5#SA | 1200 | 0.56 | 300 |
| UB12X684JM5#SA | 1200 | 0.68 | 300 |
| UB12X824JM5#SA | 1200 | 0.82 | 250 |
| UB12X105JM5#SA | 1200 | 1.0 | 250 |
| UB12X125JM5#SA | 1200 | 1.2 | 200 |
| UB12X155JM5#SA | 1200 | 1.5 | 200 |
| UB12X185JM5#SA | 1200 | 1.8 | 200 |
| UB12X205JM5#SA | 1200 | 2.0 | 150 |
| UB12X225JM5#SA | 1200 | 2.2 | 150 |
| UB12X255JM5#SA | 1200 | 2.5 | 150 |

| | | | |
|----------------|-----|------|-----|
| UB85Y824JM5#SA | 850 | 0.82 | 300 |
| UB85Y105JM5#SA | 850 | 1.0 | 300 |
| UB85Y125JM5#SA | 850 | 1.2 | 300 |
| UB85Y155JM5#SA | 850 | 1.5 | 300 |
| UB85Y185JM5#SA | 850 | 1.8 | 200 |
| UB85Y205JM5#SA | 850 | 2.0 | 200 |
| UB85Y225JM5#SA | 850 | 2.2 | 200 |
| UB85Y255JM5#SA | 850 | 2.5 | 200 |
| UB85Y305JM5#SA | 850 | 3.0 | 200 |
| UB85Y335JM5#SA | 850 | 3.3 | 200 |
| UB85Y355JM5#SA | 850 | 3.5 | 200 |

| | | | |
|----------------|------|------|-----|
| UB16X224JM5#SA | 1600 | 0.22 | 300 |
| UB16X274JM5#SA | 1600 | 0.27 | 300 |
| UB16X334JM5#SA | 1600 | 0.33 | 250 |
| UB16X394JM5#SA | 1600 | 0.39 | 250 |
| UB16X474JM5#SA | 1600 | 0.47 | 200 |
| UB16X564JM5#SA | 1600 | 0.56 | 200 |
| UB16X684JM5#SA | 1600 | 0.68 | 200 |
| UB16X824JM5#SA | 1600 | 0.82 | 200 |
| UB16X105JM5#SA | 1600 | 1.0 | 150 |

| | | | |
|----------------|------|------|-----|
| UB10X684JM5#SA | 1050 | 0.68 | 300 |
| UB10X824JM5#SA | 1050 | 0.82 | 300 |
| UB10X105JM5#SA | 1050 | 1.0 | 300 |
| UB10X125JM5#SA | 1050 | 1.2 | 250 |
| UB10X155JM5#SA | 1050 | 1.5 | 200 |
| UB10X185JM5#SA | 1050 | 1.8 | 200 |
| UB10X205JM5#SA | 1050 | 2.0 | 200 |
| UB10X225JM5#SA | 1050 | 2.2 | 200 |
| UB10X255JM5#SA | 1050 | 2.5 | 150 |
| UB10X305JM5#SA | 1050 | 3.0 | 150 |

Standard Carton Size

Unit :mm

| W | H | T |
|-----|-----|-----|
| 595 | 393 | 250 |